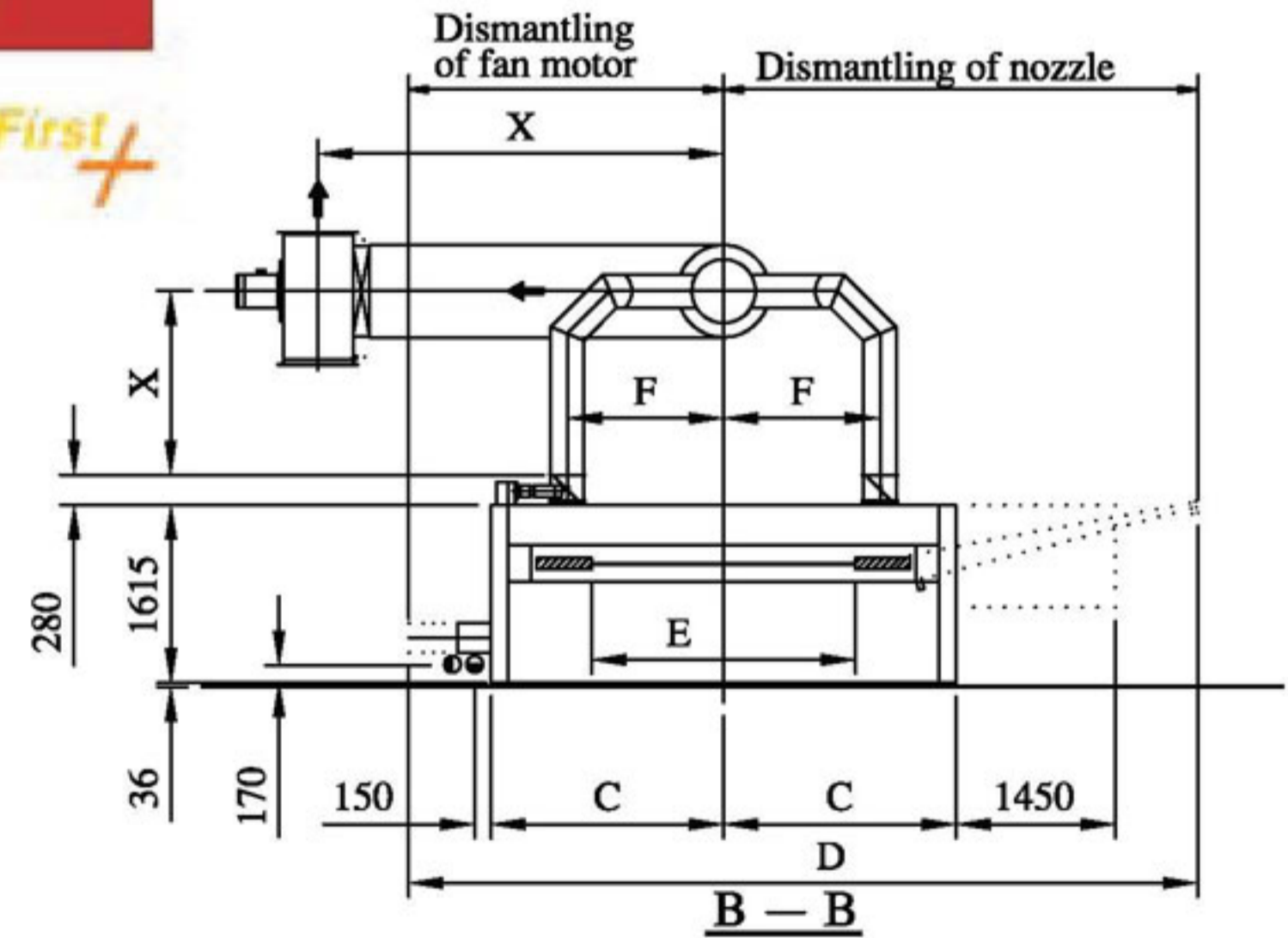


DATA FROM CUSTOMER

- (1) Inlet oil temp. at Heat Exchanger
- (2) Outlet oil temp. at Heat Exchanger
- (3) Grade of thermo oil
- (4) " X " Dimension



NOMINAL WIDTH	200 cm	260 cm	340 cm
C	1812	2112	2512
Dmin.	5974	7224	8824
E	1800	2400	3200
F	1121	1421	1821

NO. OF CHAMBERS	3	4	5	6	7	8	9	10
A Without Isotherm	9544	12544	15544	18544	21544	24544	27544	30544
With Isotherm	10384	13384	16384	19384	22384	25384	28384	31384

INLET TRACK	G	OUTLET TRACK	H	WEFT STRAIGHTNER	I	J- SCRAY		L		
						J	K	Std. outlet combination	With 2 driven cooling cyl	
Standard 3 m	4497	Standard 1980	1971	Keep space for Weft Straightner	2640	With J-scray	2200	1100	5800	6600
+ extension Entry 1440	5937	Longer 2820	2811	No space for Weft Straightner	1515	Without J-scray	1100	950	2500	3100